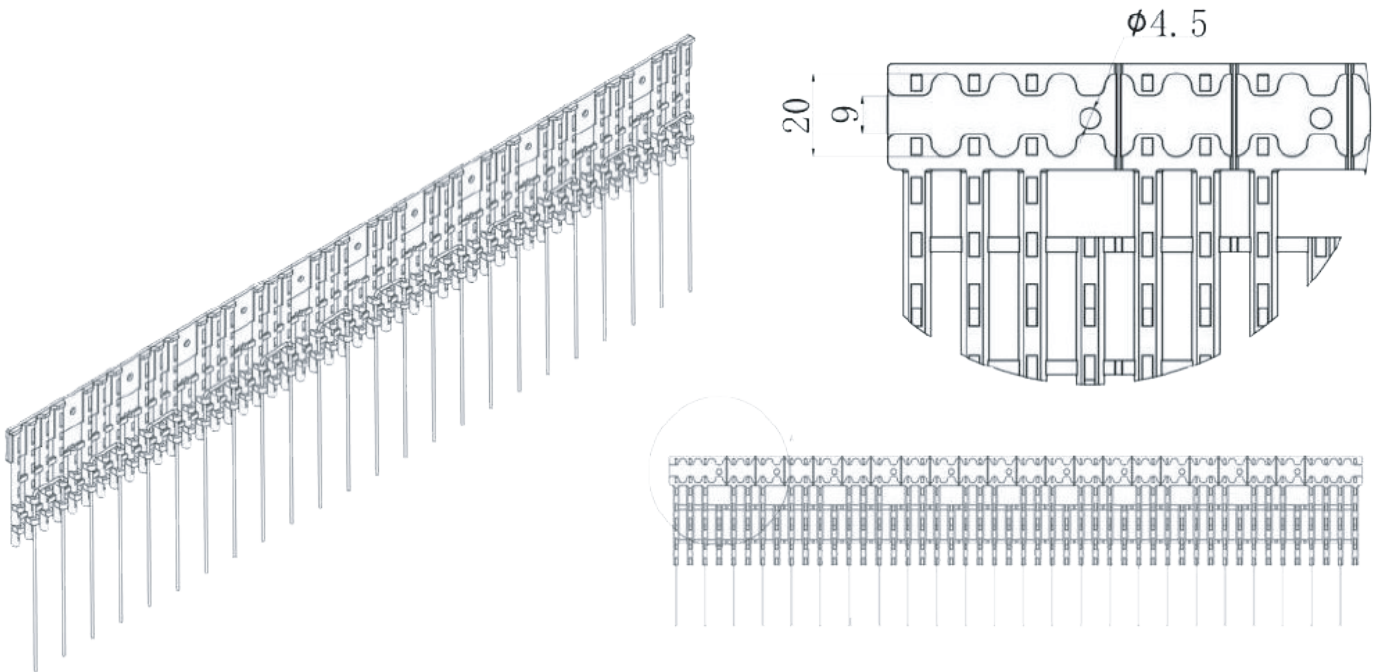


SOLAR SHIELD 140MM

TECHNICAL DATA SHEET

The plastic base is manufactured from UV Stabilised PC (Polycarbonate) and the pins are made of stainless steel wire grade No 304. The pins are 138mm in length and have a diameter of approximately 2mm. The base is 2ft (609mm) in length and 90mm inn width. The base is easy to cut down. Fully adjustable pins. Angles and spacing of pins can be determined from the below diagrams.



Max Height



Mini Height



KEY DESCRIPTIONS & SPECIFICATIONS

1. To stop birds from roosting and nesting under roof solar panels.
2. The Solar Shield system is ideal for solar panels that do not have a lip on the underside. No drill or screw.
3. Easy to fix. Simply fix the solar spikes on to the side of the solar panels with adhesive or clips.
4. Long life expectancy, the warranty can be 5-10 years.